

# VOREY沃瑞

## Specification

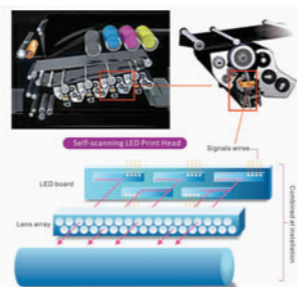
PRINT SPEED	7.26 meters/min	
PRINT TECHNOLOGY	4 Color (CMYK) LED technology	
PRINTER PROCESSOR	933MHz	
PREPARING TIME	less than 28s	
DATA PORT	Standard 10BASE-T / 100BASE-TX	
MEDIA WIDTH	320mm	
PRINT WIDTH	(Min.)210mm (Max.)304mm	
PRINT LENGTH	(Max.)1200mm	
SUBSTRATE TYPES	60-280um Paper: Paper, High glossy paper, Matt paper PET, PP, PE, GHS Film: PET, PP, PE, GHS... All of media was tested in special environment, untested medias may not be suitable for printing media possible can't be used	
PRINT MODE	continuous, black mark	
PRINT QUALITY	1200*2400dpi	
TONER SUPPLIES	CMY-18500sheets (A4, 5% coverage rate) K-26000sheets (A4, 5% coverage rate) (Rated according to ISO/IEC 19798 guidelines)	
DRUM SUPPLIES	CMYK-100000 (print runs according to the operating cycle, Medium size and the direction to change)	
FEEDER SYSTEM	Max. roll media diameter:450mm Roll media core diameter:76.2mm Max. weight roll media:47.2kgs Auto tension adjustment system	Connect media table Media processing system Printing cooling system Feeding adjustment system
SIZE(D*W*H)	1400*810*1600mm (VP320C)	1800*900*1800mm (VP320CX)
WEIGHT	Print engine: 423KGS	Print engine: 623KGS (VP320CX)
OPERATING ENVIRONMENT	Temperature: 20°C-23°C	Humidity: 45-55% (RH)
POWER SUPPLY	110-127VAC, 50-60Hz@2800W	220-240VAC, 50-60Hz@2800W
POWER CONSUMPTION	sleep:75W    waiting:100W    running:1100W	
MONTHLY RUNNING JOB	Max.20000sqm (advice)	
WARRANTY	1 year (excluding high consumable parts)	
SYSTEM REQUIREMENTS	CPU: Intel Xeon E5-1650@3.20GHz, or Intel Core i7-3930K@3.20GHz RAM:12GB RAM(minimum) HDD:150GB SATA 10K or 15K RPM OS: Windows 7 professional, or ultimate 64-bit	

**Note:** 1. Published performance results based on laboratory testing. Individual results may vary.  
2. This product is designed and engineered to operate only with genuine iSys Label consumables and certified media substrates. Please contact iSys for the most current Certified Media List of substrates available  
3. Based on 500 cut-sheet pages/job. iSys Label reserves the right to change product specifications without notice. Trademarks are the property of their respective manufacturers.

### Pint engine highlights

#### 1200Dpi Self-scanning LED chips with ASC Driver

High quality printing with 14592 LEDs while the ASLC Driver allows precise control of these LED chips.



#### Newly designed lens

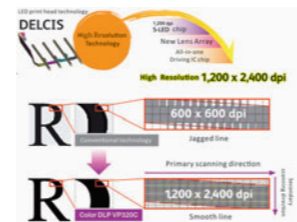
The optically precise lenses produce highly accurate images on the drum

#### Image Registration Control Technology (IRecT)

IRecT is a digital image Registration Control Technology that it is possible to correct images in ultra high-precision of up to 2400dpi. IRecT corrects image misalignment digitally, not mechanically, enabling ultra high-precision print images without any color image mis-registration.



- 1200\*2400DPI high quality image.
- extreme fine digital screening technology.
- The stable speed is 7.26m per minute.
- All kinds of media have been tested in media list, most of film and plastic media can be used.
- The media width is from 140mm to 320mm.



#### MACS (Micro Accurate Control Screen) Digital screening

MACS uses high quality digital screen technology which controls pixel production based on image density. This results in smooth gradation and excellent highlight reproduction.



Vorey沃瑞

## VP320C

# DIGITAL LABEL PRINTING

The Color DLP VP320C digital label printing machine overturns digital label printing line. It has advanced LED production printing engine. Vorey has paid efforts integrating with many years' experience. We get high efficiency and low cost printing machine suitable for many printing companies and printing shops to help them creating wonderful wealth.



**Multifunction, High Quality, High Efficiency,  
The best assistant for label printing.**



kaktus etiket

VOREY COMPANY TÜRKİYE TEMSİLCİSİ / VOREY COMPANY TURKEY REPRESENTATIVE

Kaktüs Etiket ve Ambalaj Üretim Pazarlama Sanayi Ticaret LTD. ŞTİ.

İvedik OSB 1354 Caddesi Fora İş Merkezi B Blok 138/98 Yenimahalle / ANKARA

+90 - 312 217 15 81 +90 - 532 246 47 58 +90 - 543 217 14 61

birol@kaktusetiket.com bulent@kaktusetiket.com

www.voreyturkiye.com www.kaktusetiket.com

# VP320C

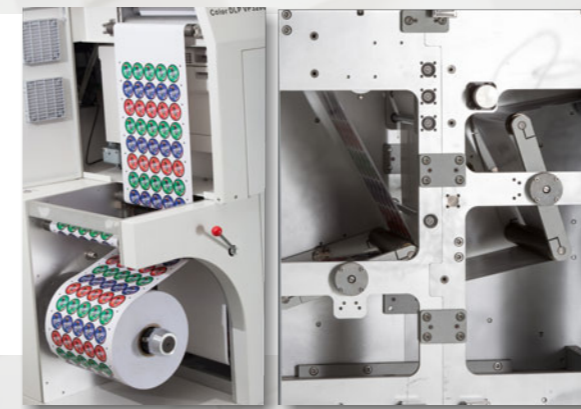
# Vorey沃瑞

## DIGITAL LABEL PRINTING



### Advantage

1. Advanced LED production engine
2. High working efficiency
3. Economic printing cost
4. Personalized printing requirements

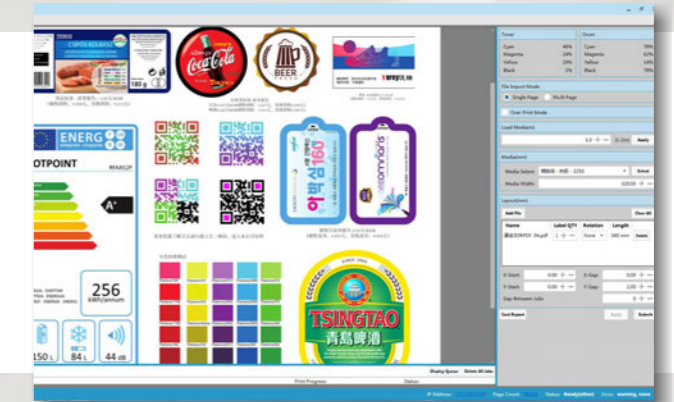


### HIGHLIGHT CONFIGURATION

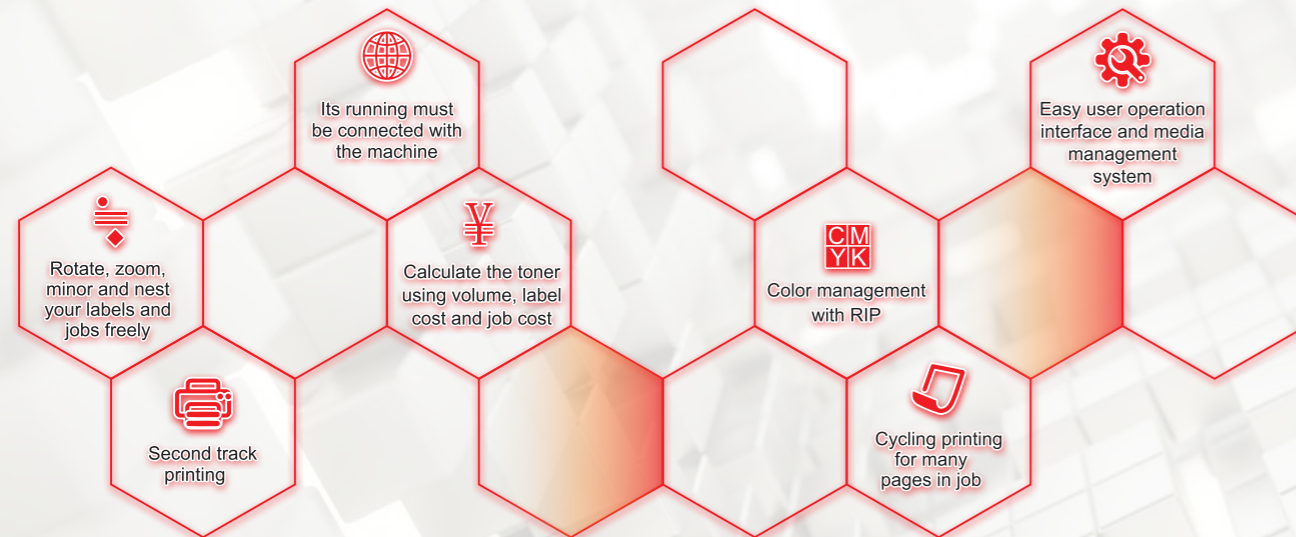
- LED low temperature image technology
- CMYK 4 colors
- Printing resolution 1200\*2400 dpi
- Print speed 7.26m per minute
- Print width 304mm

### SOFTWARE

In order to get a high quality printing, Vorey researched and developed a typical and easy printer software for VP320C. This software has friendly interface. It is easy to understand, automatically edits jobs together, and integrates with programmatic printing. PhaserMatch 5 color management system is nested to the printing software. You can get best image label and finish the jobs easily.



### EQUIPMENT CHARACTERISTICS

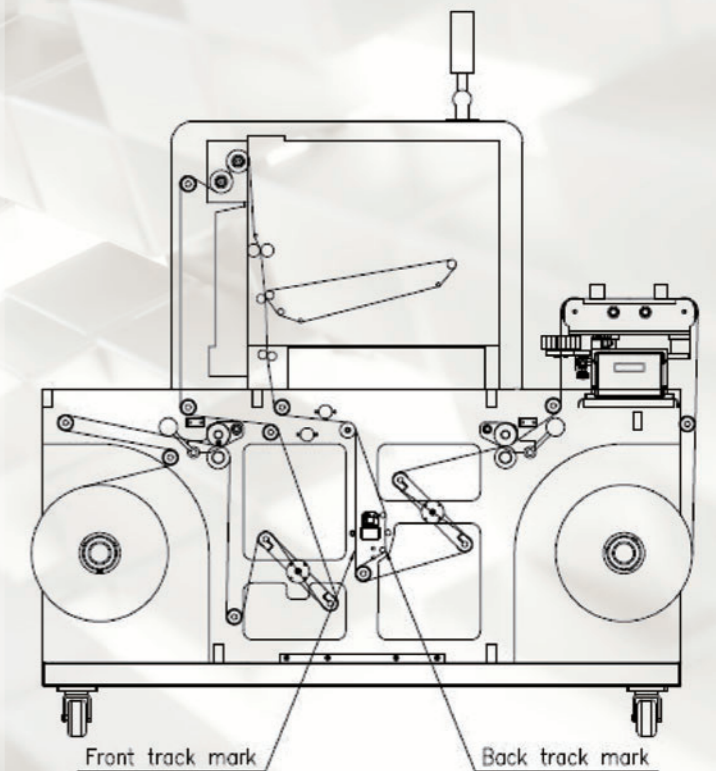


### AUTO WEB GUIDE TENSION SYSTEM

- | For tension adjustment of all media
- | Auto calculate the length of feeding
- | Ultrasonic edge detection to avoid media loading twisty
- | Avoid printed image to be stretched and twisted
- | Increase the lifespan of engine

### MEDIA PROCESSING SYSTEM

Utilize customized ion wind wand to processing media, it can remove dust and eliminate static quickly.



### WORKFLOW

### EQUIPMENT APPLICATION

